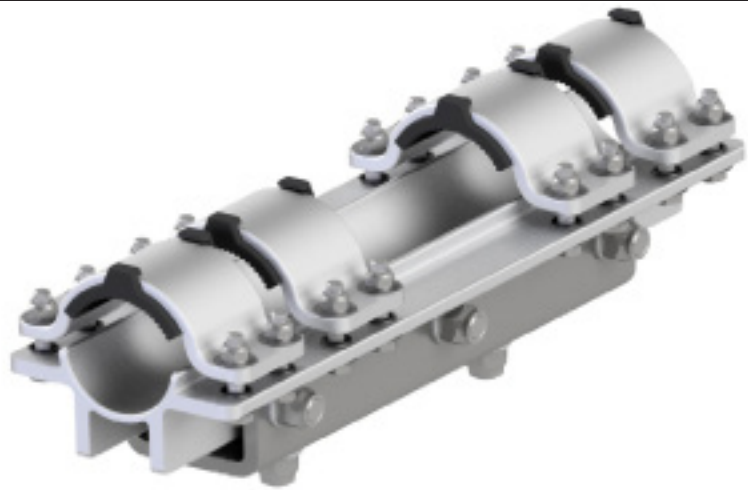


- ELLIS TERMINATION CLAMPS ARE BESPOKE CABLE CLAMPS DESIGNED TO RESTRAIN HIGH THERMO-MECHANICAL THRUST FORCES AT CRITICAL AREAS OF CABLE RUNS, SUCH AS JOINTS AND TERMINATIONS.
- TYPICALLY MANUFACTURED IN 6000 SERIES ALUMINIUM.
- AXIAL FORCE WITHSTAND LEVELS NORMALLY RANGE FROM 10KN - 60KN AND ARE DESIGNED TO SUIT PROJECT SPECIFIC LOADS.
- DESIGNED ON A PER PROJECT BASIS TO SUIT SPECIFIC LOAD VALUES AND MAXIMUM CABLE PRESSURE REQUIREMENTS.

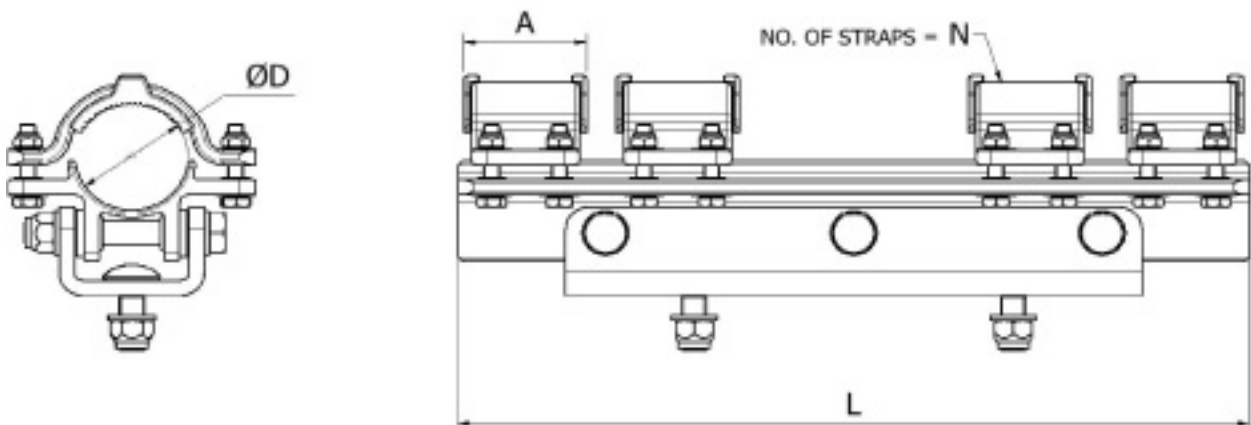


Bespoke Clamp 1 - Used in the Woodhead Tunnel, UK.



Bespoke Clamp 2 - Used in a Hydroelectric Power Tunnel, USA.

TYPICAL VARIABLE DESIGN PARAMTERS - ALL CAN BE ADJUSTED TO SUIT LOAD REQUIREMENTS AND CABLE PRESSURE CONSTRAINTS.



For more details please contact Ellis