

# ELLIS

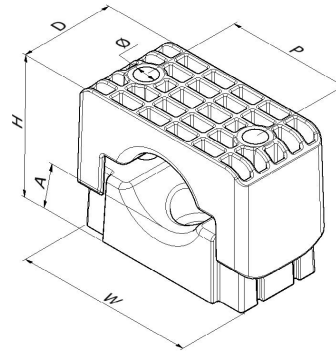
Holding Power

## DATA SHEET

## SOLUS CLAMP

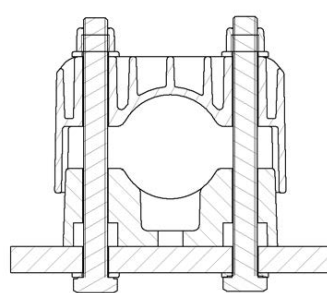
DESIGN REG NUMBER: D030165EM

- RANGE ACCOMODATES  $\phi 19$  -  $\phi 90$ MM CABLES IN FOUR CLEAT SIZES
- SUITABLE FOR INDOOR AND OUTDOOR USE
- SHORT CIRCUIT AND MECHANICALLY TESTED IN ACCORDANCE TO IEC 61914
- SINGLE OR TWIN BOLT FIXING OPTIONS
- STANDARD MATERIAL (LSF) IS PFAS AND HALOGEN FREE, FLAME RETARDANT AND SUITABLE FOR OUTDOOR APPLICATIONS
- FOR HIGHER TEMPERATURE APPLICATIONS GFN HAS THE SAME MATERIAL PROPERTIES AS LSF BUT OFFERS A HIGHER OPERATING TEMPERATURE
- POLYMERIC LINER CAN BE SUPPLIED UPON REQUEST

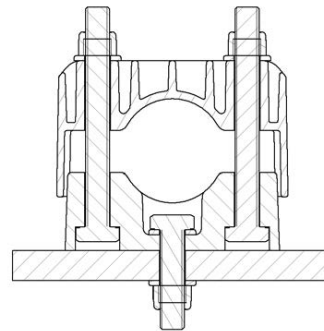


PART NO.	CABLE RANGE		LINER SIZE (mm)	CABLE RANGE WITH LINER		DIMENSIONS						AXIAL LOAD (KN)		LATERAL LOAD - HORIZONTAL (KN)		LATERAL LOAD - VERTICAL (KN)		WEIGHT (g)
	MIN $\phi$ (mm)	MAX $\phi$ (mm)		MIN $\phi$ (mm)	MAX $\phi$ (mm)	W	H	D	A	P	$\phi$	SINGLE FIXING	TWIN FIXING	SINGLE FIXING	TWIN FIXING	SIN-GLE FIXING	TWIN FIXING	
SL25-38GFN	25	38	3	19	32	100	80	60	24	60	M12	0.9	1.2	4	5	6.5	10	285
SL36-52GFN	36	52	3	30	46	116	95	60	24	75	M12	1.2	1.8	4	5.5	6	10	356
SL49-75GFN	49	75	3	43	69	138	124	60	26	95	M12	1.6	1.6	4	10	6.5	9	485
SL66-90GFN	66	90	3	60	84	158	142	70	26	120	M12	1.6	1.6	6.5	10	10	10	655
SL25-38LSF	25	38	3	19	32	100	80	60	24	60	M12	1.1	1.3	6.5	7	10	25	232
SL36-52LSF	36	52	3	30	46	116	95	60	24	75	M12	1.1	1.8	6	8	9	25	287
SL49-75LSF	49	75	3	43	69	138	124	60	26	95	M12	1.1	1.1	6	8	10.5	26	395
SL66-90LSF	66	90	3	60	84	158	142	70	26	120	M12	1.1	1.1	6.5	8	10	25	548

Twin Fixing



Single Fixing



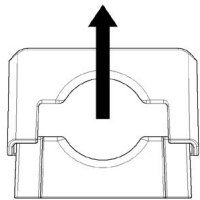
## TESTING SUMMARY

Solus Clamps have been tested in line with the International Standard 'Cable Cleats for Electrical Installations' IEC 61914:2021. Typical results are detailed below, please note that these testing values are maximums and safety factors appropriate to your application should be used:

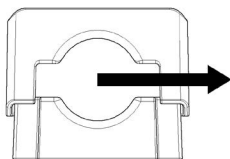
PROPERTY	CLASSIFICATION CLAUSE IEC 61914	UNITS / CLASSIFICATION	TEST DATA	
			LSF	GFN
CLEAT TYPE	6.1.2	NON-METALLIC	-	
TEMP. FOR PERMANENT APPLICATION	6.2	°C	-60 to +60	-60 to +120
IMPACT RATING	6.3.5	VERY HEAVY	PASS	
FLAME PROPAGATION TEST	10.0, 10.1	FLAME PROPAGATION TEST ≥30S	PASS	
AXIAL LOAD (KN)	6.4.3, 9.4	NEWTONS (N)	SEE TABLE ON PAGE 1	SEE TABLE ON PAGE 1
HORIZONTAL - 2250N VER- TICAL -2250N	6.4.2, 9.3	NEWTONS (N)	SEE TABLE ON PAGE 1	SEE TABLE ON PAGE 1
RESISTANCE TO ELECTROMECHANICAL FORCE (SHORT CIRCUIT TESTING)	6.4, 6.4.5, 9.5	CLEATS AT 300MM INTERVALS (WITHSTANDING MORE THAN ONE SHORT CIRCUIT)	157kA (REPORT No. PDL- 22.079.02)  CABLE OD = Ø35mm PHASE SPACING = 125mm	164kA (REPORT No. PDL-22.079.01)  CABLE OD = Ø35mm PHASE SPACING = 125mm

Note: the with liner version has a lower rating to the standard version as follows:

- 1) TEMPERATURE RANGE OF -60 TO +85°C
- 2) AXIAL PERFORMANCE LOWER THAN STANDARD VERSION, CONTACT ELLIS FOR DETAILS.



LATERAL LOAD 'VERTICAL' DIRECTION



LATERAL LOAD 'HORIZONTAL DIRECTION'



PRODUCT CAN BE STACKED FLAT USING HEX RECESS ON BASE OF PRODUCT - REFER TO INTSALLATION INSTRUCTIONS

This data sheet is subject to change without notice. The information provided has been generated in laboratory conditions, as such results in use may vary.