

ELLIS

Holding Power

DATA SHEET

CENTAUR TREFOIL

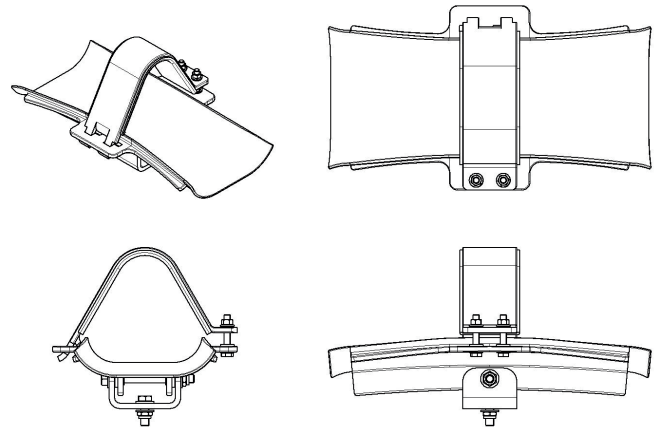
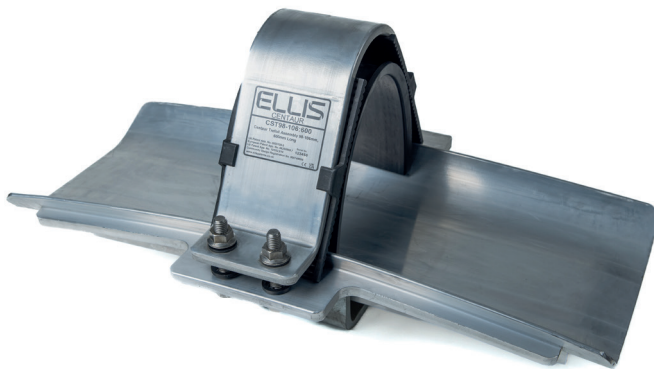
Community Design Registration No. 000749999

Patent No. UK Patent App No. 0805128.6

European Patent No. 1973211

US Patent No. 8398033

- CURVED SADDLE CLEAT TO SUIT SAGGED CABLE INSTALLATIONS
- PIVOT POINTS ALLOW THE SADDLE TO PARTIALLY ROTATE UP AND DOWN AND LEFT TO RIGHT ACROSS ITS LENGTH
- HINGED CABLE STRAP EASES INSTALLATION
- SHORT CIRCUIT TESTED IN LINE WITH IEC 61914



Centaur Trefoil cable saddles are designed to support HV cables in trefoil formations alongside steelwork centres typically around 3 - 8m.

The assembly consists of an extruded and pressed aluminium saddle and a hinged aluminium overstrap. The curvature of the saddle accommodates the thermal expansion of the cable and the ends of the saddle are flared so that the cable never comes into contact with a sharp edge under any circumstances.

Centaur Trefoil is available in lengths of 400, 600 and 800mm to allow for different cable diameters and mounting centres.

Centaur Trefoil is project specific and as such range details cannot be provided. Please contact Ellis for further details.



A PHOTO OF THE SHORT CIRCUIT TEST RIG FOR CENTAUR TREFOIL INCLUDING FLEXI-STRAPS. TESTING WAS CARRIED OUT AT ZKU LABORATORIES IN PRAGUE, CZ.

SHORT CIRCUIT TESTING

CENTAUR TREFOIL HAS BEEN SHORT CIRCUIT TESTED TO THE FOLLOWING PARAMETERS, CONSULT TEST REPORT NUMBER ZKU 16-050 FOR MORE DETAIL:

- CABLE = $\varnothing 103\text{mm}$
- CLEATS EVERY 7m WITH INTERMEDIATE STRAPS EVERY 1.4m
- PEAK CURRENT = 117KA

This data sheet is subject to change without notice. The information provided has been generated in laboratory conditions, as such results in use may vary.

ELLIS PATENTS LTD.

www.ellispatents.co.uk

ISSUE 02 02/02/23

1 / 1

TESTING SUMMARY

Centaur cable saddles have been tested in line with the International Standard 'Cable Cleats for Electrical Installations' As IEC 61914 is part of the low voltage directive it is not possible to follow the standard exactly and thus deviations have been made in areas. Typical results are detailed below, please note that these testing values are maximums and safety factors appropriate to your application should be used:

PROPERTY	CLASSIFICATION CLAUSE IEC 61914	UNITS / CLASSIFICATION	TEST DATA
CLEAT TYPE	6.1.3	COMPOSITE	-
TEMP. FOR PERMANENT APPLICATION	6.2	°C	-40 - 60
UV RESISTANCE	6.5.1.2	UV RESISTANT	METALLIC FRAME SHIELDS ALL POLYMER COMPONENTS.
CORROSION RESISTANCE	6.5.2.2	REFER TO ELLIS	-
IMPACT RATING	6.3.5	VERY HEAVY	PASS
FLAME PROPAGATION TEST	10.0, 10.1	APPLICATION TIME $\geq 30s$	PASS
AXIAL LOAD RATING	6.4.3, 9.4	NEWTONS (N)	REFER TO ELLIS
LATERAL LOAD RATING	6.4.2, 9.3	NEWTONS (N)	REFER TO ELLIS
RESISTANCE TO ELECTROMECHANICAL FORCE (SHORT CIRCUIT TESTING)	6.4, 6.4.4, 9.5	CENTAUR CLEATS AT 8.4M WITH STRAPS AT MIDPOINTS	117kA (REPORT No. KEMA- 313-08) CABLE = $\varnothing 103mm$

This data sheet is subject to change without notice. The information provided has been generated in laboratory conditions, as such results in use may vary.