

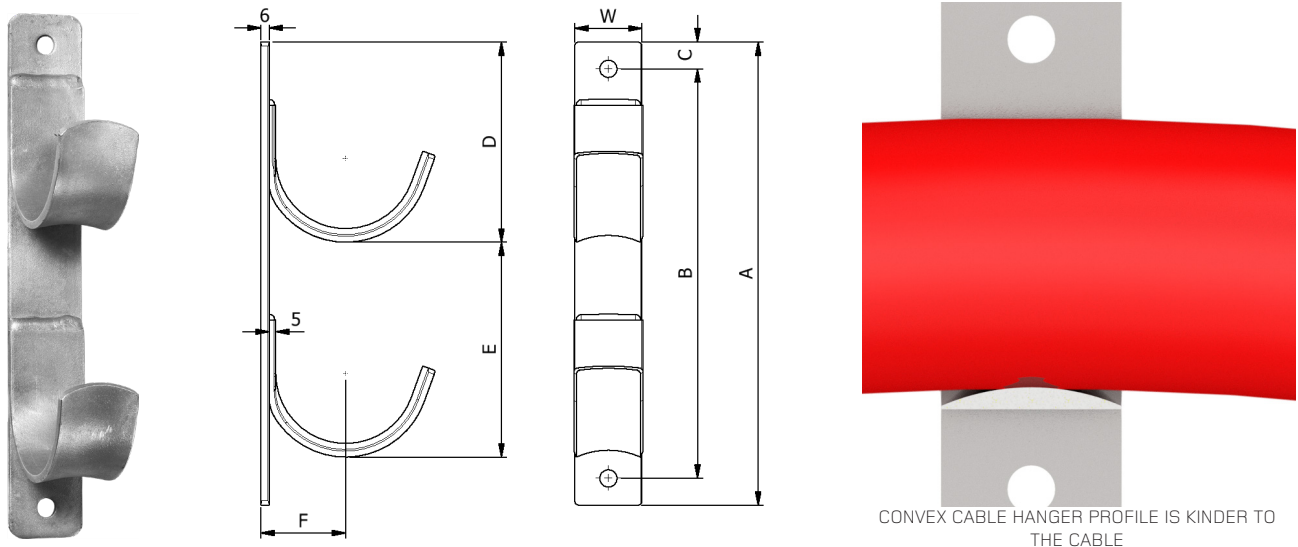
ELLIS

Holding Power

DATA SHEET

CONVEX CABLE HANGERS

- ROUNDED CORNERS REDUCE SNAGGING POINTS
- CONVEX CABLE HANGER PROFILE REDUCES THE RISK OF CABLE DAMAGE AND FACILITATES CABLE SAG
- SPIN GALVANISED (55MICRON) TO BS EN ISO 1461
- WIDE RANGE OF SIZES AVAILABLE
- CUSTOM DESIGNS AVAILABLE
- CURVED BACK PLATE TO SUIT TUNNEL WALLS AVAILABLE
- SAME STRENGTH AS MK2 HANGER BUT REDUCED 5MM THICK HANGER (BACKPLATE 6MM)
- BESPOKE DESIGNS AND CONFIGURATIONS CAN BE OFFERED



PART NO.	Cable ϕ (mm)	NO. OF HOOKS	DIMENSIONS (mm)							FIXING HOLES	WEIGHT (g)	SWL (kg)
			A	B	C	D	E	F	W			
CH1W1	Up to 50	1	145	105	20	105	n/a	37	40	11	490	200
CH2W1	Up to 50	2	235	195	20	105	90	37	40	11	890	200
CH3W1	Up to 50	3	325	285	20	105	90	37	40	11	1270	200
CH4W1	Up to 50	4	415	375	20	105	90	37	40	11	1670	200
CH5W1	Up to 50	5	505	465	20	105	90	37	40	11	2070	200
CH6W1	Up to 50	6	595	555	20	105	90	37	40	11	2460	200
CH1W2	51-75	1	170	130	20	130	n/a	50	50	13	750	250
CH2W2	51-75	2	295	255	20	130	125	50	50	13	1390	250
CH3W2	51-75	3	420	380	20	130	125	50	50	13	2050	250
CH4W2	51-75	4	545	505	20	130	125	50	50	13	2690	250
CH5W2	51-75	5	670	630	20	130	125	50	50	13	3340	250
CH6W2	51-75	6	795	755	20	130	125	50	50	13	3990	250
CH1W3	76-100	1	185	145	20	145	n/a	62	50	13	870	250
CH2W3	76-100	2	345	305	20	145	160	62	50	13	1670	250
CH3W3	76-100	3	505	465	20	145	160	62	50	13	2490	250
CH4W3	76-100	4	665	625	20	145	160	62	50	13	3290	250
CH5W3	76-100	5	825	785	20	145	160	62	50	13	4100	250
CH6W3	76-100	6	985	945	20	145	160	62	50	13	4900	250

* Load Capacity: Brackets with multiple hook configurations are designed to operate with all hooks carrying their maximum load.
As standard, parts are spin galvanised to BS EN 1461 (55 μ m), thicker galvanising options are available on request.
Dimensions are provided with a tolerance, refer to detailed drawings for details.

This data sheet is subject to change without notice. The information provided has been generated in laboratory conditions, as such results in use may vary.