

ELLIS

Holding Power

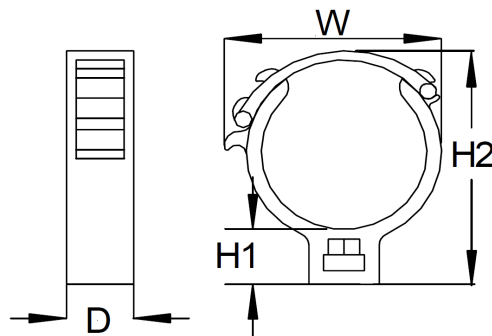
DATA SHEET

APACHE PIPE CLAMP

- AVAILABLE IN TWO PRODUCT GROUPS
 - PIPE HANGER CLAMPS
 - FRAMING CHANNEL CLAMPS
- FOR METRIC PIPES FROM 15MM TO171MM O/D AND IMPERIAL PIPES FROM 1/2" TO 6" BORE.
- RATCHET DESIGN ENABLES EACH CLAMP TO ACCOMMODATE A RANGE OF PIPE SIZES.
- 16 CLAMPS IN EACH RANGE.
- FITS ANY STANDARD OR NON STANDARD PIPE.
- NO LOOSE COMPONENTS, CAPTIVE OVERSTRAP SECURES PIPE.
- VERY RAPID INSTALLATION.
- GOOD CHEMICAL RESISTANCE (APPLY FOR FURTHER DETAILS).
- ROBUST DESIGN MADE FROM BLACK POLYAMIDE (MATERIAL DATA SHEET AVAILABLE UPON REQUEST).
- CONTINUOUS SAFE WORKING TEMPERATURES UP TO 82°C.

PIPE HANGER CLAMPS

- Dual Bossing
- 15-96mm M8 + M10
- 96-171mm M10 + M12



PART NO.	METRIC RANGE*	METRIC SIZE	IMPERIAL BORE SIZE	H1	H2	W	D	DUAL BOSS	SWL Kgf
AP-01-00	15-18	16		20	45	30	25	M8/M10	13
AP-02-00	19-22	20	1/2"	20	50	35	25	M8/M10	17
AP-03-00	23-27	25	3/4"	20	55	40	25	M8/M10	23
AP-04-00	27-31	28		22	60	45	25	M8/M10	23
AP-05-00	32-35	32	1"	22	65	45	28	M8/M10	31
AP-06-00	36-44	40	1 1/4"	23	70	55	28	M8/M10	31
AP-07-00	44-52.5	50	1 1/2"	23	75	65	28	M8/M10	40
AP-08-00	52.5-58	55		23	85	70	28	M8/M10	47
AP-09-00	58-69	63	2"	25	90	80	28	M8/M10	47
AP-10-00	69-81	75	2 1/2"	25	105	90	30	M8/M10	59
AP-11-00	81-96	90	3"	28	120	105	30	M8/M10	71
AP-12-00	96-108	100		30	140	120	30	M10/M12	73
AP-13-00	108-122	110	4"	30	150	135	30	M10/M12	73
AP-14-00	122-138	125		28	165	155	40	M10/M12	73
AP-15-00	138-145	140	5"	32	175	155	40	M10/M12	90
AP-16-00	145-171	160	6"	35	215	185	40	M10/M12	91

ELLIS

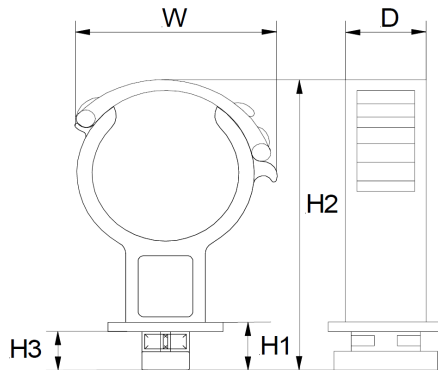
Holding Power

DATA SHEET

APACHE PIPE CLAMP

FRAMING CHANNEL CLAMPS

- Simple Twist Fit
- Fits standard channel 41 x 41 & 41 x 21
- Available for non-standard channel upon request



PART NO.	METRIC RANGE*	METRIC SIZE	IMPERIAL BORE SIZE	H1	H2	H3	W	D	SWL Kgf
AF-01-00	15-18	16		34	73	11.5	30	25	13
AF-02-00	19-22	20	½"	34	77	11.5	35	25	17
AF-03-00	23-27	25	¾"	34	80	11.5	40	25	23
AF-04-00	27-31	28		34	85	11.5	45	25	23
AF-05-00	32-35	32	1"	34	90	14	45	28	31
AF-06-00	36-44	40	1¼"	34	95	14	55	28	31
AF-07-00	44-52.5	50	1½"	34	105	14	65	28	40
AF-08-00	52.5-58	55		34	115	14	70	28	47
AF-09-00	58-69	63	2"	34	120	14	80	28	47
AF-10-00	69-81	75	2½"	34	130	14	90	30	59
AF-11-00	81-96	90	3"	34	145	14	105	30	71
AF-12-00	96-108	100		34	160	17	120	30	73
AF-13-00	108-122	110	4"	34	170	17	135	30	73
AF-14-00	122-138	125		34	190	17	155	40	73
AF-15-00	138-145	140	5"	34	200	17	155	40	90
AF-16-00	145-171	160	6"	34	225	17	185	40	91

*Apache Pipe Clamps are designed to secure the pipe whilst allowing for a small amount of expansion. However, if a 'floating' installation is required, as with the Mapress system, the following sizes are recommended:-

PIPE SIZE (mm)	
15	Use Apache size 01
22	Use Apache size 03
28	Use Apache size 05
35	Use Apache size 06
42	Use Apache size 07
54	Use Apache size 09